

# Product data sheet

## Characteristics

# QOU220

Mini circuit breaker, QOU, 20A, 2 pole, 120/240 VAC, 10kA

Product availability : Stock - Normally stocked in distribution facility



### Main

Product or component type	Miniature circuit-breaker
Range of product	QOU
Circuit breaker type	Standard
Circuit breaker application	HACR and Switching Duty rated

### Complementary

Line Rated Current	20 A
Electrical connection	Slotted box lugs, line side Slotted box lugs, load side
[Ue] rated operational voltage	120/240 V AC 120 V AC 48 V DC
Mounting mode	Unit mount
AWG gauge	AWG 14...AWG 2 aluminium/copper
Height	4.05 in (102.87 mm)
Width	1.5 in (38.10 mm)
Depth	2.95 in (74.93 mm)
Tightening torque	45 lbf.in (5.08 N.m) AWG 14...AWG 2)

### Environment

Product certifications	CSA IEC UL Listed
------------------------	-------------------------

### Ordering and shipping details

Category	00900 - QOU BREAKERS & SWITCH
----------	-------------------------------

\* Price is "List Price" and may be subject to a trade discount – check with your local distributor or retailer for actual price.

Discount Schedule	DE2
GTIN	00785901418689
Nbr. of units in pkg.	24
Package weight(Lbs)	24 lb(US) (10.89 kg)
Returnability	Yes
Country of origin	MX

### Packing Units

Unit Type of Package 1	PCE
Package 1 Height	3.60 in (9.144 cm)
Package 1 width	4.90 in (12.446 cm)
Package 1 Length	2.10 in (5.334 cm)
Unit Type of Package 2	CAR
Number of Units in Package 2	24
Package 2 Weight	18.85 lb(US) (8.55 kg)
Package 2 Height	4.00 in (10.16 cm)
Package 2 width	13.90 in (35.306 cm)
Package 2 Length	21.00 in (53.34 cm)

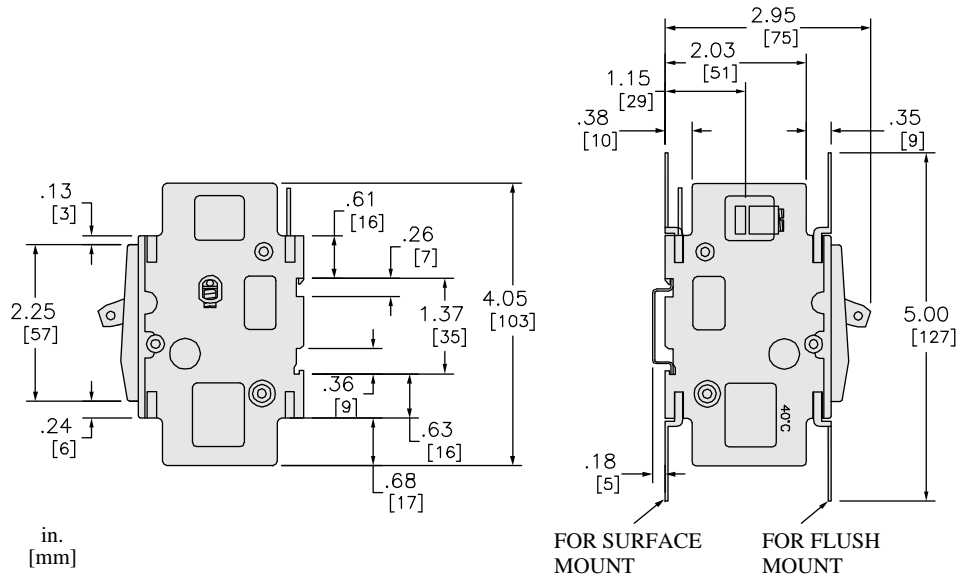
### Offer Sustainability

Sustainable offer status	Green Premium product
REACH Regulation	<a href="#">REACH Declaration</a>
REACH free of SVHC	Yes
EU RoHS Directive	Compliant <a href="#">EU RoHS Declaration</a>
Toxic heavy metal free	Yes
Mercury free	Yes
RoHS exemption information	<a href="#">Yes</a>
China RoHS Regulation	<a href="#">China RoHS declaration</a> Pro-active China RoHS declaration (out of China RoHS legal scope)
Environmental Disclosure	<a href="#">Product Environmental Profile</a>
Halogen content performance	Halogen free product

### Contractual warranty

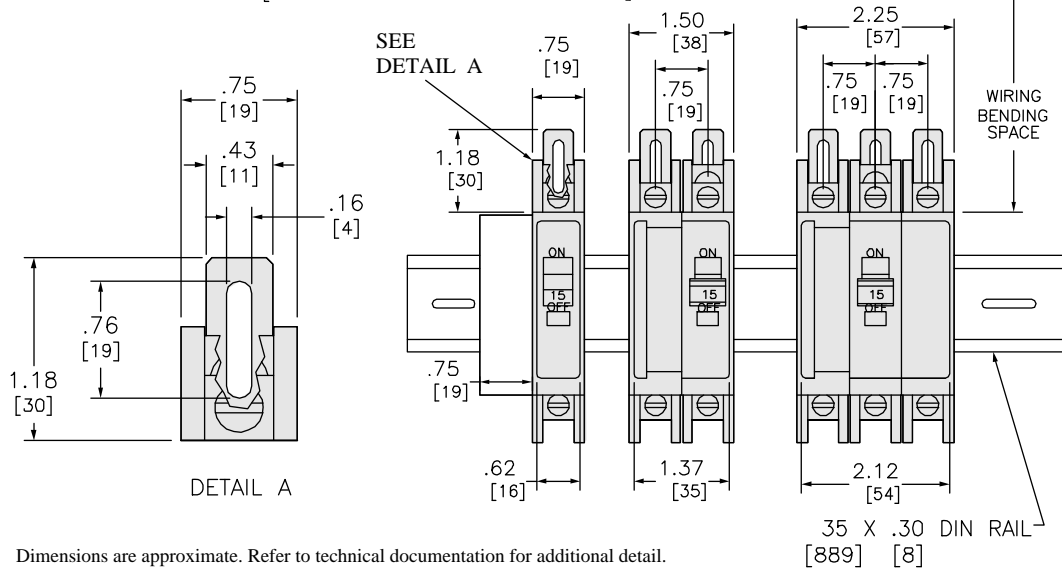
Warranty	18 months
----------	-----------

Dimensions



2.50 [64] MIN. WIRE BENDING SPACE FOR 2 AWG  
 1.50 [38] MIN. WIRE BENDING SPACE FOR 14 AWG  
 TYP. BOTH ENDS FOR ALL CB'S SHOWN  
 PER ARTICLE 430-1-(B) NEC

[DIMENSIONAL EXAMPLE ONLY BELOW]



Dimensions are approximate. Refer to technical documentation for additional detail.